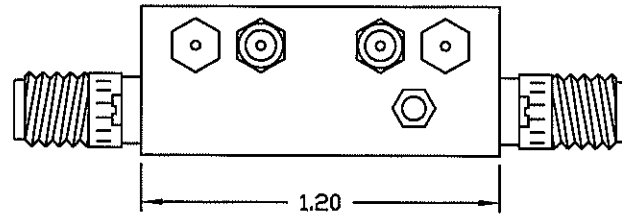


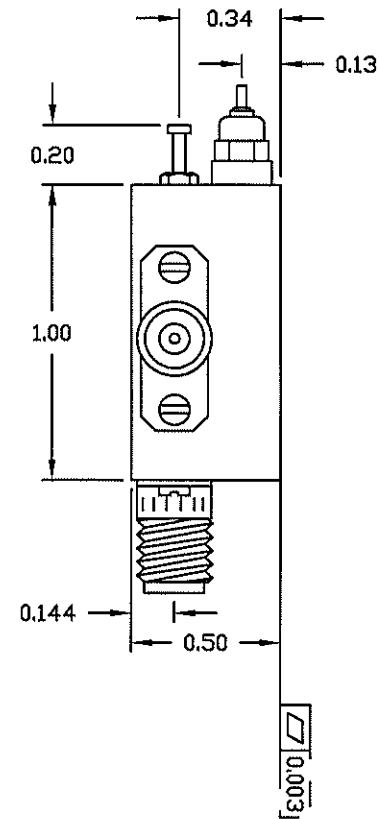
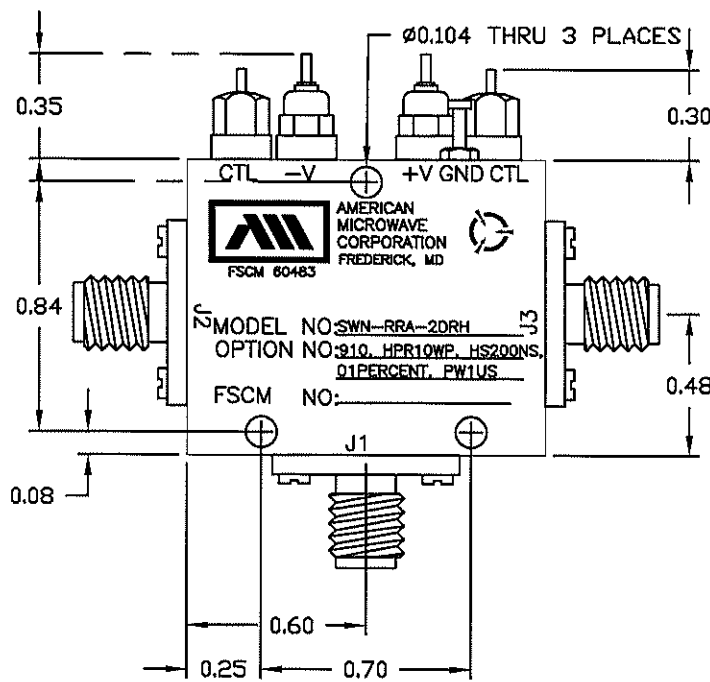
DESCRIPTION:

AMC MODEL SWN-RRA-2DRH-COMDEV OPTION 910, HPR1WP, HS200NS, 01PERCENT & PW1US IS A SINGLE POLE TWO THROW NARROW BAND REFLECTIVE SWITCH MODULE, DESIGNED FOR THE 9 TO 10 GHz FREQUENCY RANGE. THIS 80 dB ISOLATION SWITCH IS DESIGNED FOR HIGH INPUT POWER (+40 dBm).

| REVISIONS | | | | |
|-----------|------|--------------------------------|--------|----------|
| ZONE | REV. | DESCRIPTION | DATE | APPROVED |
| - | - | ORIGINAL RELEASE JOB# 801015PE | 2/6/08 | |



MECHANICAL OUTLINE



ALL DIMENSIONS ARE IN INCHES
 TOLERANCES:
 X.XX ±0.010
 X.XXX ±0.005

| | | | | | |
|---------------------|--------|---|----------|------------|------|
| PART NO. | | AMERICAN MICROWAVE CORPORATION FREDERICK, MARYLAND | | | |
| APPROVALS | DATE | TITLE | | | |
| DRAWN <i>J.M.S.</i> | 2/8/08 | MECHANICAL OUTLINE | | | |
| CHECKED | | SWN-RRA-2DRH-COMDEV | | | |
| ISSUED | | OPTION 910, HPR1WP, HS200NS, 01PERCENT, PW1US | | | |
| | | SIZE | FSCM NO. | DWG NO. | REV. |
| | | A | 60483 | 100-6919-2 | - |
| | | SCALE | SHEET | | |
| | | N:S | 2 OF 3 | | |

DESCRIPTION:

AMC MODEL SWN-RA-2DRH-COMDEV OPTION 910, HPR1WP, HS200NS, 01PERCENT & PW1US IS A SINGLE POLE TWO THROW NARROW BAND REFLECTIVE SWITCH MODULE, DESIGNED FOR THE 9 TO 10 GHz FREQUENCY RANGE. THIS 80 dB ISOLATION SWITCH IS DESIGNED FOR HIGH INPUT POWER (+40 dBm).

| REVISIONS | | | | |
|-----------|------|----------------------------------|--------|----------|
| ZONE | REV. | DESCRIPTION | DATE | APPROVED |
| | | - ORIGINAL RELEASE JOB #801015PE | 2/6/08 | |

SPECIFICATIONS:

- FREQUENCY: 9 TO 10 GHz
- INSERTION LOSS: 2.5 dB MAXIMUM
 - VS. FREQUENCY: ± 0.5 dB MAX
 - VS. TEMPERATURE: ± 0.3 dB MAX
 WITH RESPECT TO NOMINAL INSERTION LOSS
- NOMINAL INSERTION LOSS IS DEFINED AS THE VALUE MEASURED AT AN AMBIENT TEMPERATURE OF 25°C AT THE CENTER FREQUENCY OF 10.0 GHz
- ISOLATION: 80 dB MINIMUM
- VSWR (ALL PORTS): 2.0:1 MAXIMUM
- SWITCHING SPEED: 200 nS MAXIMUM (10% - 90% AND 90% - 10% RF)
- HARMONIC LEVELS: -30 dBc UNDER MAX INPUT CONDITIONS
- SPURIOUS OUTPUT: -115 dBc MAX, UP TO 200 MHz AWAY FROM 10 GHz AT AN INPUT POWER LEVEL OF +29.5 dBm
- THIRD ORDER INTERCEPT: +42dBm MINIMUM
- MEAN TIME BETWEEN FAILURES: 1,000,000 HOURS MINIMUM
- POWER SUPPLY: +5.0VDC ±5% @ 160 mA MAXIMUM
 -12.0VDC ±5% @ 50mA MAXIMUM
- RF INPUT POWER: +40 dBm CW MAX
- PEAK POWER: 10 WATTS

| CONTROL | | INPUTS | STATE |
|---------|----|--------|----------------------|
| C1 | C2 | | |
| 0 | 0 | | NOT VALID |
| 0 | 1 | | *J1-J2 ON, J1-J3 OFF |
| 1 | 0 | | *J1-J2 OFF, J1-J3 ON |
| 1 | 1 | | BOTH OFF |

*J1-J2 CORRESPONDS TO RF1, J1-J3 CORRESPONDS TO RF2

OPTIONS:

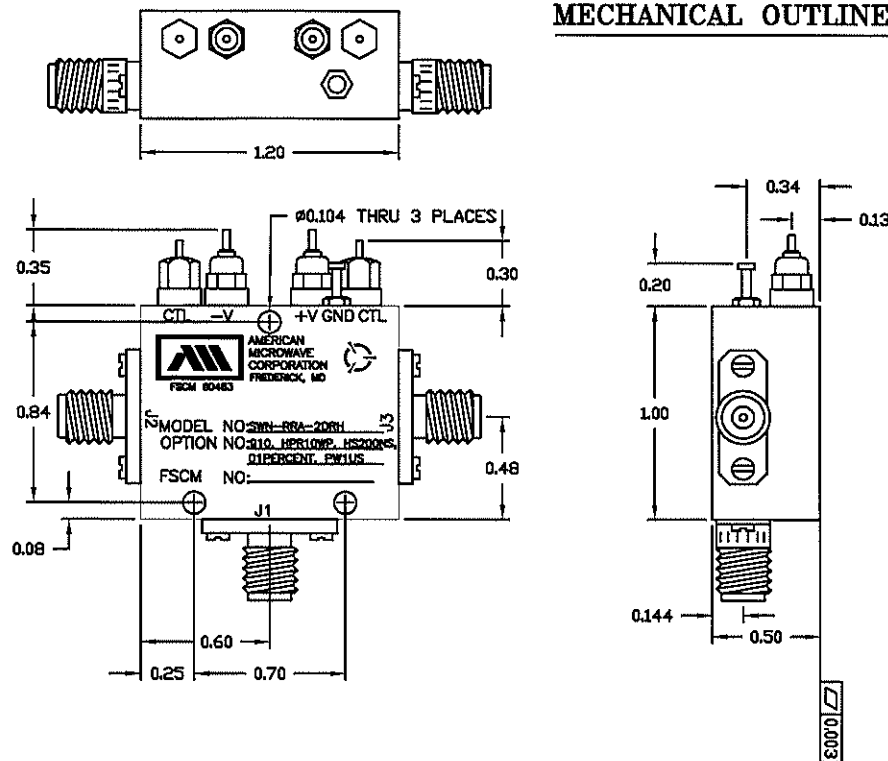
- OPTION 910: 9 TO 10 GHz FREQUENCY RANGE
- OPTION HPR10WP: 10 WATTS PEAK
- OPTION HS200NS: 200NSEC RISE/FALL TIME
- OPTION 01PERCENT: 1% DUTY CYCLE
- OPTION PW1US: 1 USEC PULSE WIDTH

ENVIRONMENTAL RATINGS:

- TEMPERATURE: -55°C TO +85°C (OPERATING)
 -65°C TO +125°C (STORAGE)
- HUMIDITY: MIL-STD-202F, METHOD 103B COND. B
- SHOCK: MIL-STD-202F, METHOD 213B COND. B
- VIBRATION: MIL-STD-202F, METHOD 204D COND. B
- ALTITUDE: MIL-STD-202F, METHOD 105C COND. B
- TEMPERATURE CYCLE: MIL-STD-202F, METHOD 107D COND. A

NOTE: THE ABOVE SPECIFICATIONS ARE SUBJECT TO CHANGE OR REVISION

MECHANICAL OUTLINE



ALL DIMENSIONS ARE IN INCHES
 TOLERANCES:
 .XX ±0.010
 .XXX ±0.005

| | | | | |
|------------|--------|---|----------|------------|
| PART NO. | | AMERICAN MICROWAVE CORPORATION FREDERICK, MARYLAND | | |
| APPROVALS | DATE | TITLE | | |
| <i>KMS</i> | 2/6/08 | PRODUCT FEATURE | | |
| DRAWN | | SWN-RA-2DRH-COMDEV | | |
| CHECKED | | OPTION 910, HPR10WP, HS200NS, 01PERCENT, PW1US | | |
| ISSUED | | SIZE | FSCM NO. | DWG NO. |
| | | A | 60483 | 100-6919-2 |
| | | SCALE | SHEET | |
| | | N:S | 1 OF 3 | |